

**Radiator**

Forte V20 1600↑ × 514↔ LP,  
radiator colour: Metallic Grey,  
radiator code: TG20F160051 KMGRLP

◀ **Valves and accessories**

angled thermostatic valve set  
pipe-masking set – 160 mm

▼ **Valves and accessories**

3-axis thermostatic valve set  
pipe-masking set – 70 mm



RAL 9005 MAT

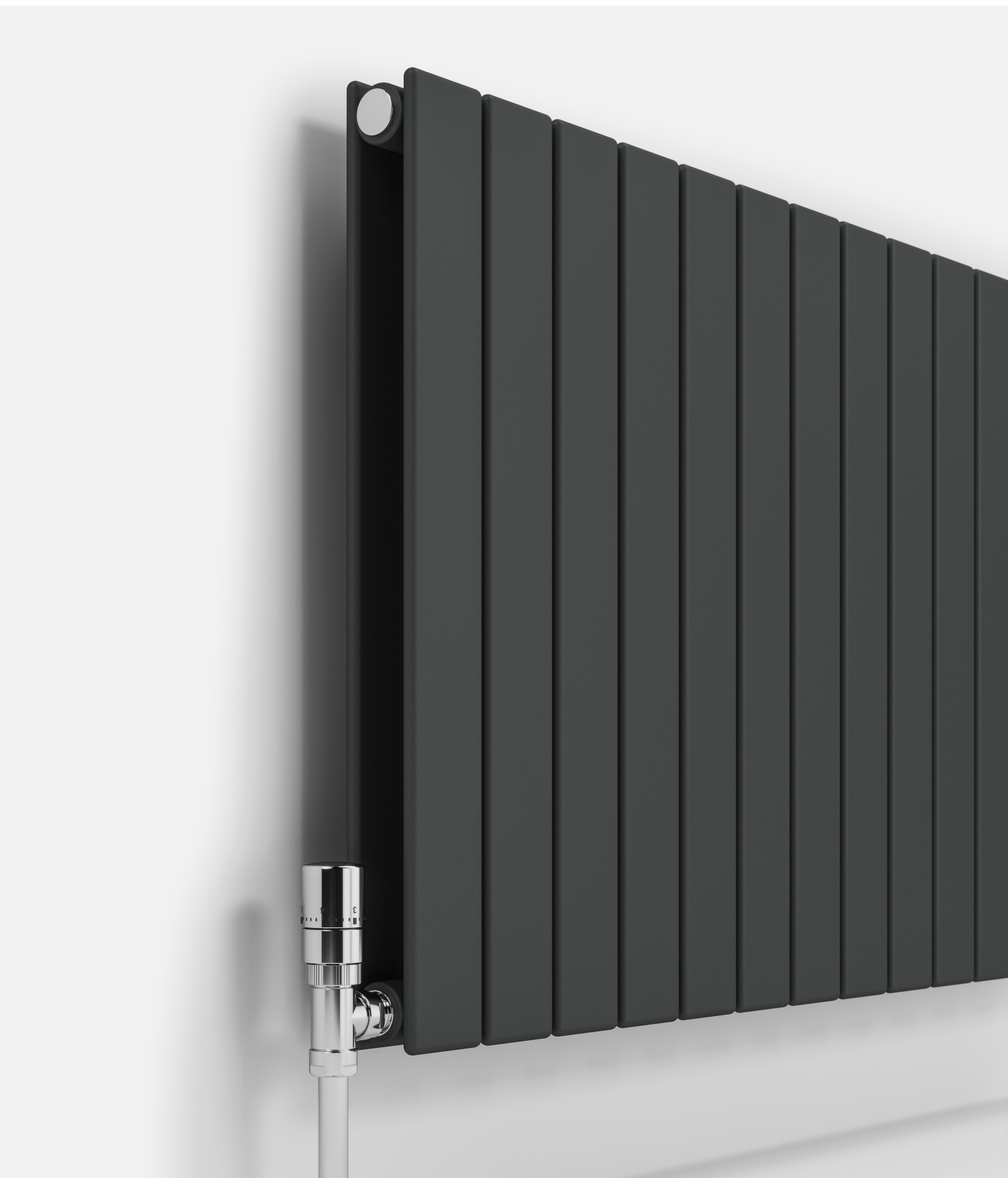


RAL 9016

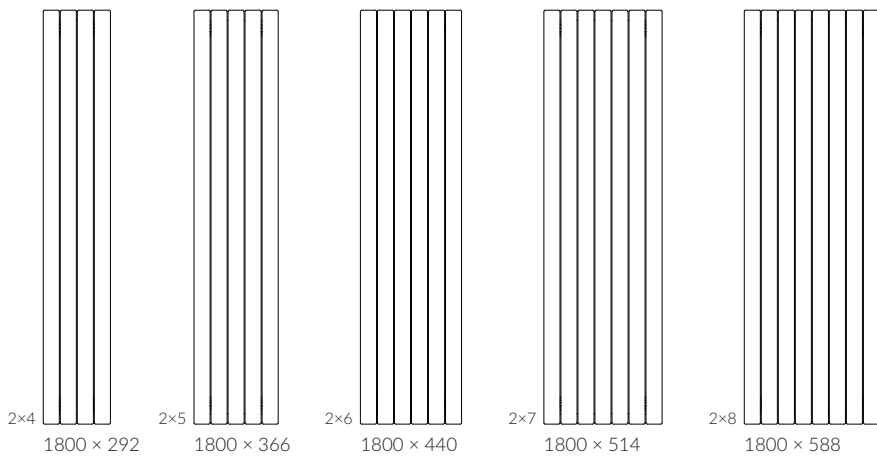
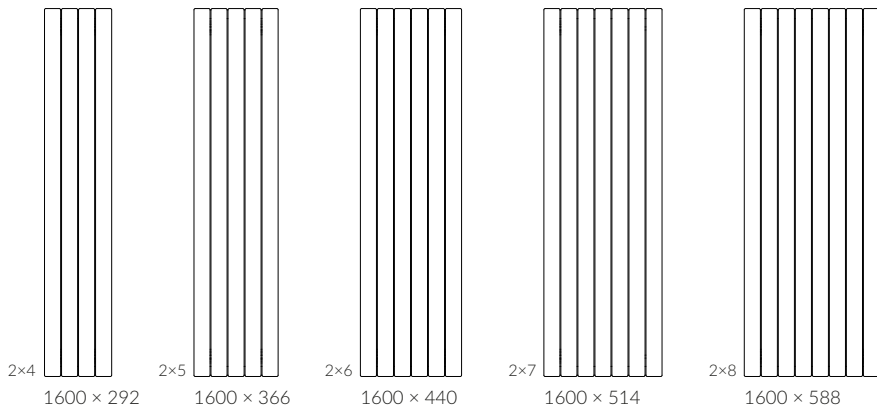
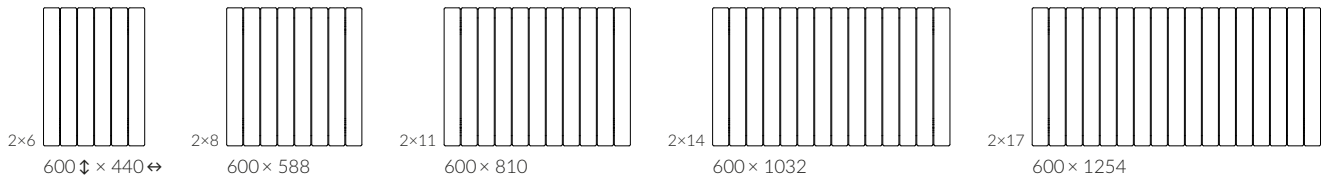
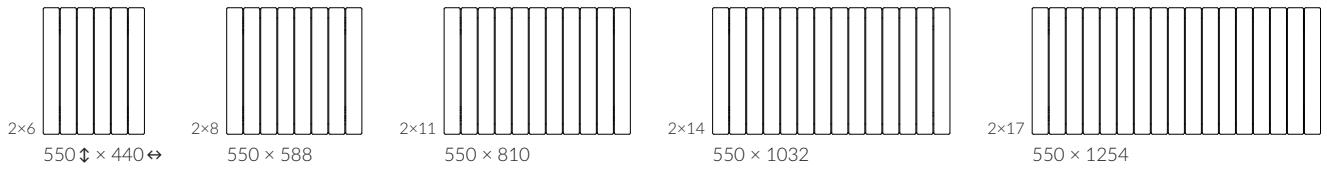


METALLIC GREY

**FORTE V20** 



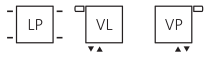
## AVAILABLE SIZES



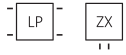
## CENTRAL HEATING / DUAL FUEL

Connections:

Height 550–600 mm



Height 1600–1800 mm





Height A ⇕ [mm]	Width B ↔ [mm]	Heating power – powder paint		Product code <a href="#">... Configuration p.6</a>
		75/65/20°C [W]	55/45/20°C [W]	
550	440	429	219	TG20F055044...
550	588	571	292	TG20F055058...
550	810	786	402	TG20F055081...
550	1032	1000	511	TG20F055103...
550	1254	1214	621	TG20F055125...
600	440	464	237	TG20F060044...
600	588	619	316	TG20F060058...
600	810	851	435	TG20F060081...
600	1032	1083	553	TG20F060103...
600	1254	1315	672	TG20F060125...
1600	292	739	370	TG20F160029...
1600	366	924	463	TG20F160036...
1600	440	1108	555	TG20F160044...
1600	514	1293	648	TG20F160051...
1600	588	1478	741	TG20F160058...
1800	292	814	407	TG20F180029...
1800	366	1017	508	TG20F180036...
1800	440	1221	610	TG20F180044...
1800	514	1424	712	TG20F180051...
1800	588	1628	814	TG20F180058...

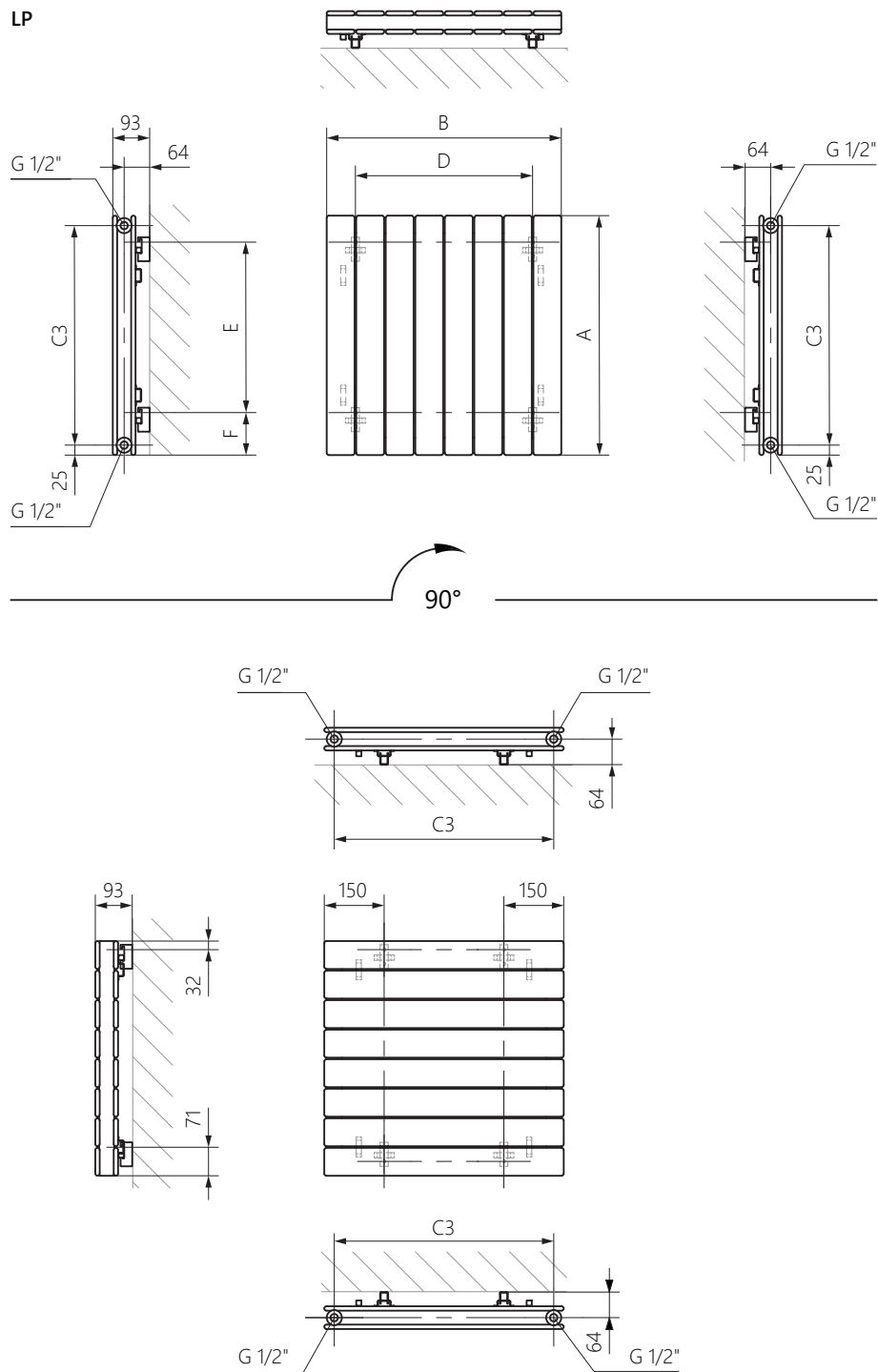
## DIMENSIONS AND TECHNICAL INFORMATION

Working pressure: 450 kPa

Maximum operating temperature: 95°C

Height A ↕ [mm]	Width B ↔ [mm]	Depth G [mm]	Spacing connection C1 [mm]	Spacing connection C3 [mm]	Spacing connection C4 [mm]	Spacing connection C5 [mm]	Spacing horizontal fasteners D [mm]	Spacing vertical fasteners E [mm]	Bottom fasteners position F [mm]	Capacity  [dm <sup>3</sup> ]	Weight  [kg]
550	440	93	50	500	440	—	296	377	107	4,33	10,93
550	588	93	50	500	588	—	444	377	107	5,78	14,62
550	810	93	50	500	810	—	666	377	107	7,94	20,09
550	1032	93	50	500	1032	—	888	377	107	10,11	25,57
550	1254	93	50	500	1254	—	1110	377	107	12,28	31,05
600	440	93	50	550	440	—	296	427	107	4,72	12,53
600	588	93	50	550	588	—	444	427	107	6,30	15,74
600	810	93	50	550	810	—	666	427	107	8,66	21,63
600	1032	93	50	550	1032	—	888	427	107	11,02	27,53
600	1254	93	50	550	1254	—	1110	427	107	13,38	33,43
1600	292	93	—	1550	292	50	148	1427	107	8,35	19,56
1600	366	93	—	1550	366	50	222	1427	107	10,44	24,44
1600	440	93	—	1550	440	50	296	1427	107	12,52	29,33
1600	514	93	—	1550	514	50	370	1427	107	14,61	34,22
1600	588	93	—	1550	588	50	444	1427	107	16,70	39,11
1800	292	93	—	1750	292	50	148	1627	107	9,39	21,90
1800	366	93	—	1750	366	50	222	1627	107	11,74	27,36
1800	440	93	—	1750	440	50	296	1627	107	14,08	32,84
1800	514	93	—	1750	514	50	370	1627	107	16,43	38,31
1800	588	93	—	1750	588	50	444	1627	107	18,78	43,78

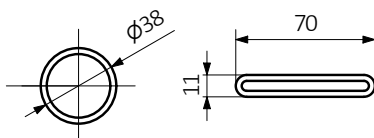
TECHNICAL DRAWING



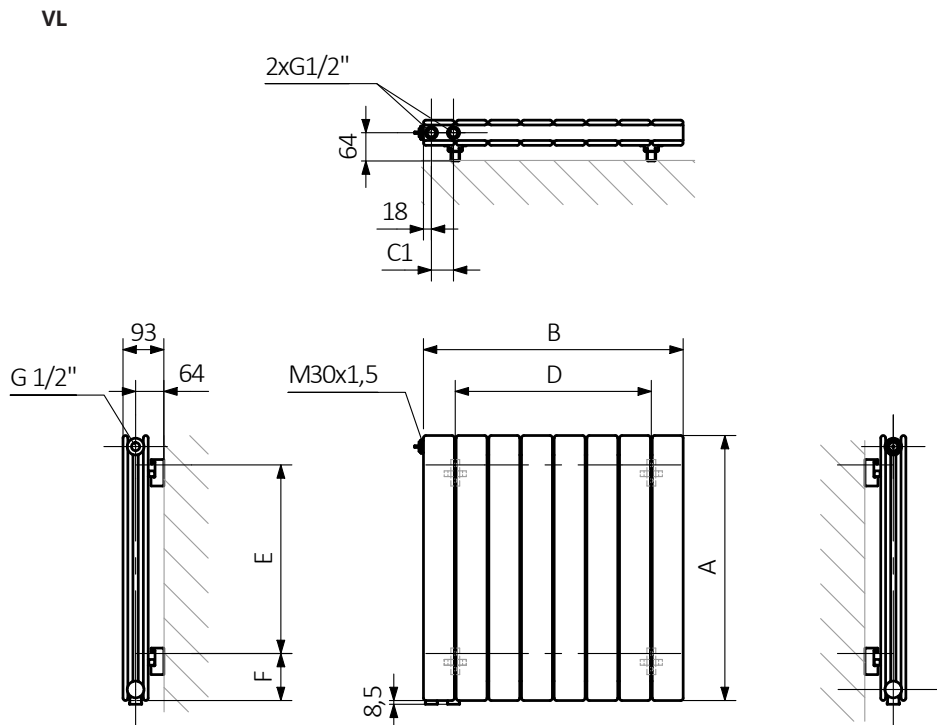
A – Height B – Width C1-C5 – Distance between pipe centres D – Horizontal distance between mounting bracket centres E – Vertical distance between mounting brackets F – Distance between a mounting bracket and the bottom of the radiator

Collector:

Pipe:



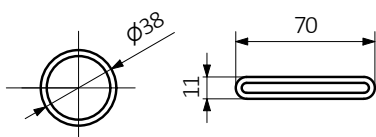
TECHNICAL DRAWING



A – Height B – Width C1-C5 – Distance between pipe centres D – Horizontal distance between mounting bracket centres  
 E – Vertical distance between mounting brackets F – Distance between a mounting bracket and the bottom of the radiator

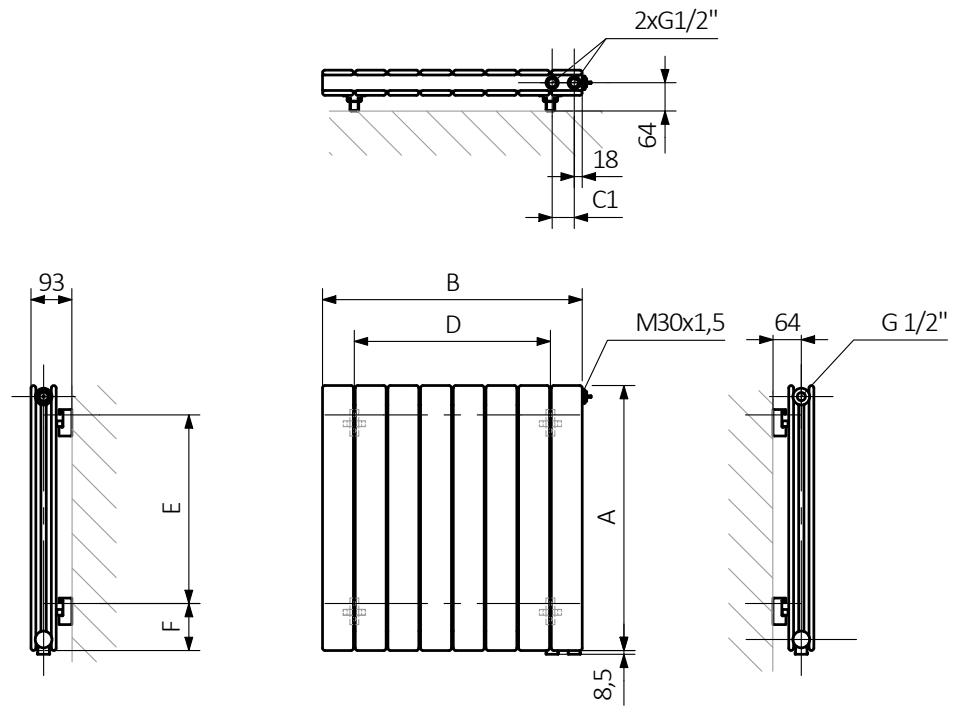
Collector:

Pipe:



TECHNICAL DRAWING

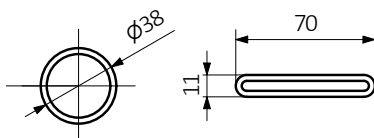
VP



A – Height B – Width C1-C5 – Distance between pipe centres D – Horizontal distance between mounting bracket centres E – Vertical distance between mounting brackets F – Distance between a mounting bracket and the bottom of the radiator

Collector:

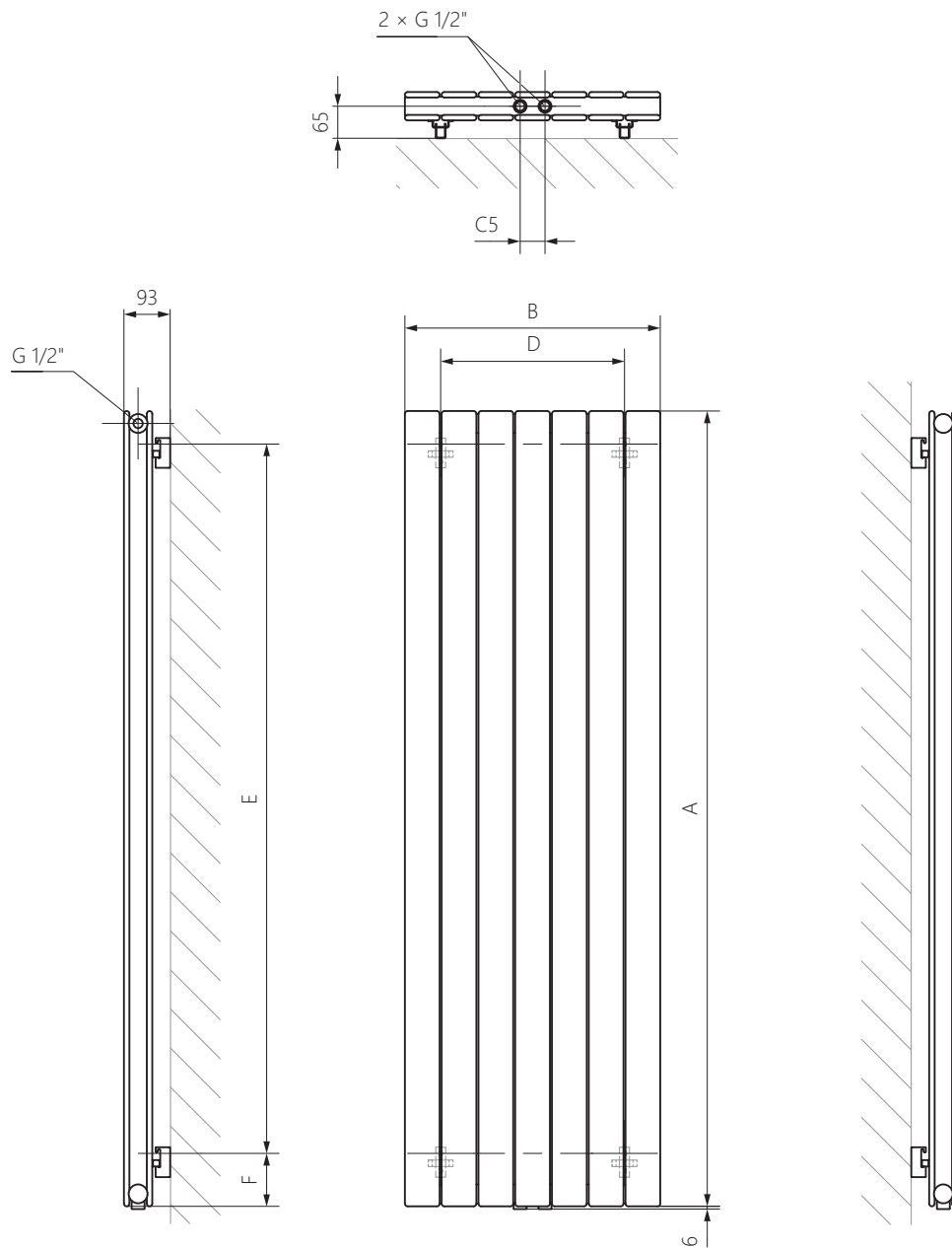
Pipe:





TECHNICAL DRAWING

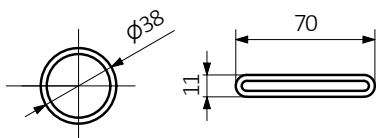
ZX



A – Height B – Width C1-C5 – Distance between pipe centres D – Horizontal distance between mounting bracket centres E – Vertical distance between mounting brackets F – Distance between a mounting bracket and the bottom of the radiator

Collector:

Pipe:



Product codes can be found in the product tables in both the catalogue and the price list. They provide basic information about the product and the configuration code contains information that complements the specification. When placing an order, the product codes should contain the fully completed configuration part. Part of the configuration code should be placed after the main product code as shown in the example below:

## CONFIGURATION CODE FOR A TOWEL RAIL OR RADIATOR

### CODE DETAILS:

